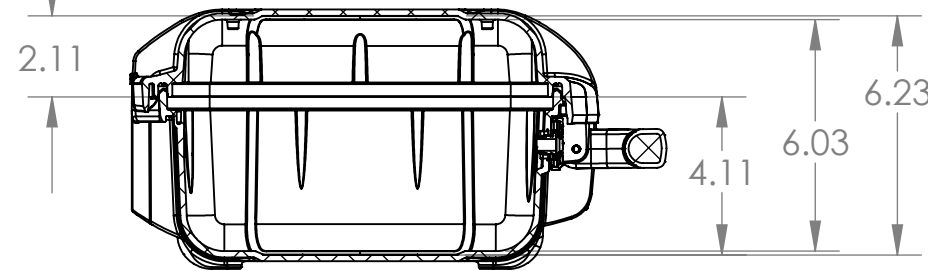
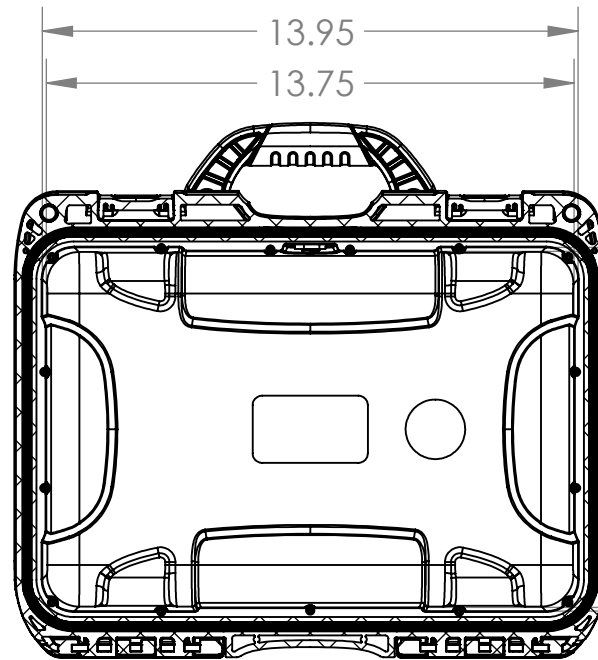
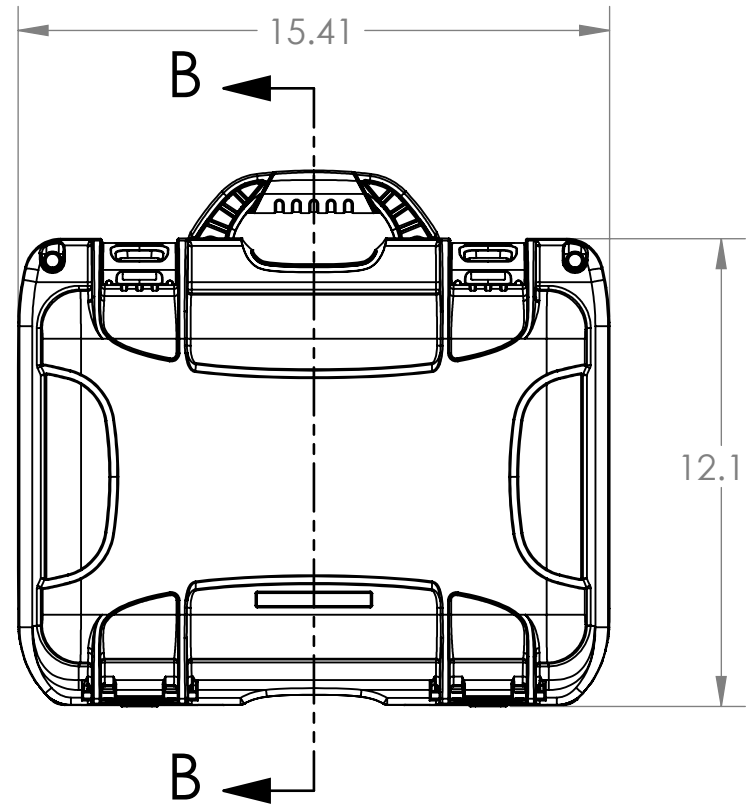
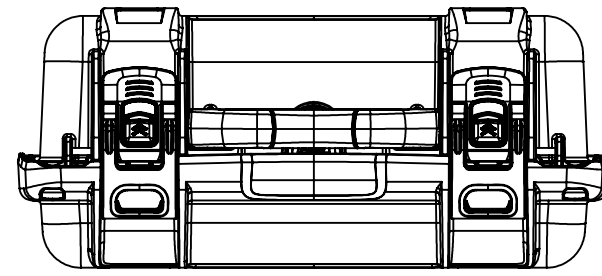
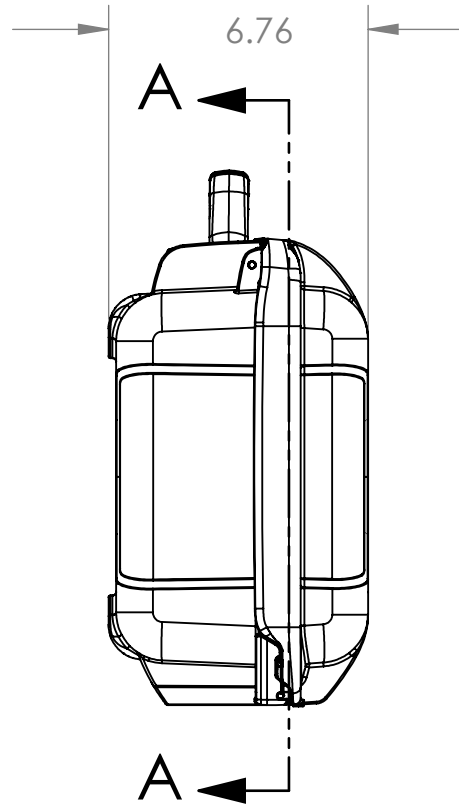
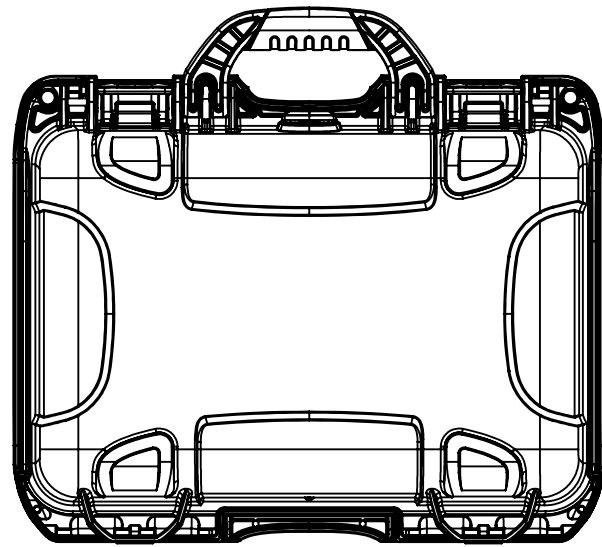


THE INFORMATION CONTAINED IN THIS DRAWING IS THE SOLE PROPERTY OF PLASTICASE ANY REPRODUCTION IN PART OR WHOLE WITHOUT THE WRITTEN PERMISSION OF PLASTICASE IS PROHIBITED.

REVISIONS			
REV.	DESCRIPTION	DATE	APPROVED



NANUK 915 Specifications	
Case Weight Empty	4.4lbs / 2.0kg
Interior Length	13.75" / 351mm
Interior Width	9.27" / 236mm
Interior Height	6.23" / 157mm
Interior Lid Depth	2.11" / 53mm
Interior Base Depth	4.11" / 104mm
Exterior Length	15.41" / 391mm
Exterior Width	12.19" / 310mm
Exterior Height	6.76" / 172mm
Master Pack Qty.	4
Master Pack Wt.	24.45lbs / 11.09kg
Max Buoyancy	35lbs / 15.88kg

SECTION A-A

SECTION B-B

PARTS LIST			
UNLESS OTHERWISE SPECIFIED DIMENSIONS ARE IN INCHES		CAD GENERATED DRAWING, DO NOT MANUALLY UPDATE	
APPROVALS		DATE	
DRAWN	S.C.	04/03/2020	
CHECKED			
RESP ENG			
MFG ENG			
QUAL ENG			
DO NOT SCALE DRAWING			
		PLASTICASE	
		NANUK 915_R1	
SIZE	DWG. NO.	REV.	
B			
SCALE	CAD FILE:	SHEET	OF
1:5	915_R1_Assembly_p.00	1	1