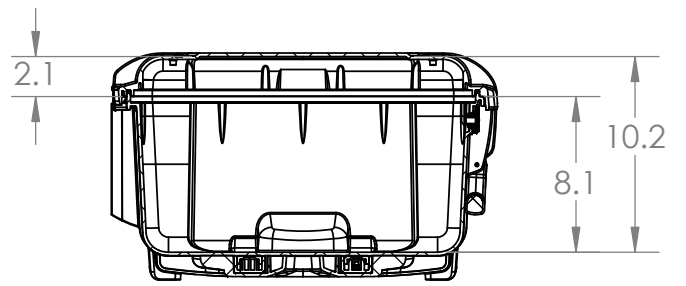
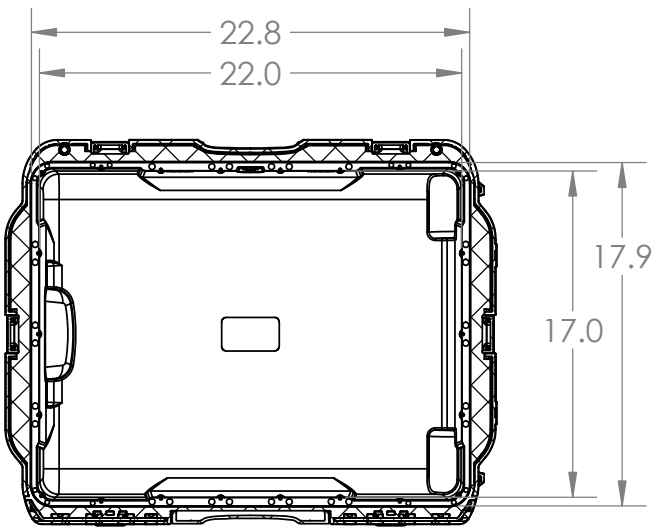
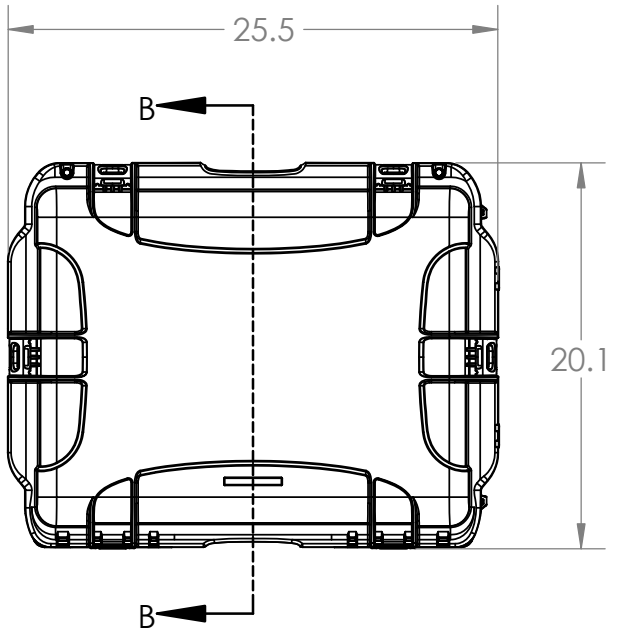
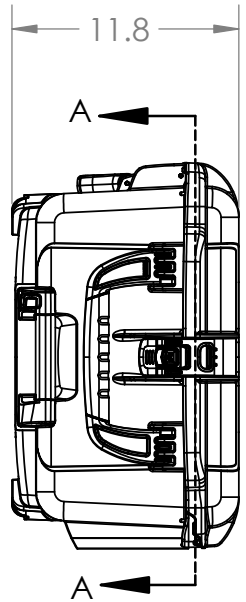
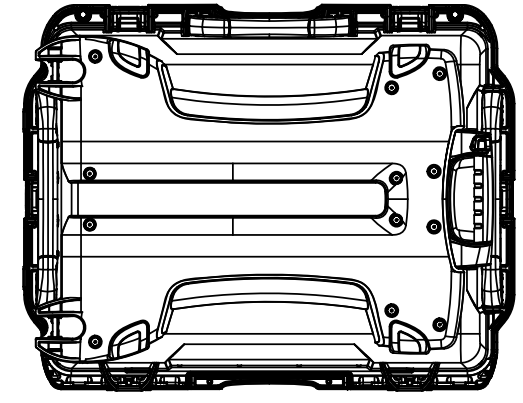
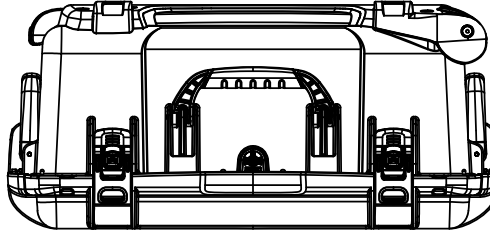


THE INFORMATION CONTAINED IN THIS DRAWING IS THE SOLE PROPERTY OF PLASTICASE ANY REPRODUCTION IN PART OR WHOLE WITHOUT THE WRITTEN PERMISSION OF PLASTICASE IS PROHIBITED.

REVISIONS			
REV.	DESCRIPTION	DATE	APPROVED



NANUK 955 Specifications	
Case Weight Empty	18.05lbs / 8.20kg
Interior Length	22.0" / 559mm
Interior Width	17.0" / 432mm
Interior Height	10.2" / 259mm
Interior Lid Depth	2.1" / 53mm
Interior Base Depth	8.1" / 206mm
Exterior Length	25.5" / 648mm
Exterior Width	20.1" / 511mm
Exterior Height	11.8" / 300mm
Master Pack Qty.	1
Master Pack Wt.	N/A
Max Buoyancy	TBA

SECTION A-A

SECTION B-B

PARTS LIST			
UNLESS OTHERWISE SPECIFIED DIMENSIONS ARE IN INCHES	CAD GENERATED DRAWING, DO NOT MANUALLY UPDATE		PLASTICASE NANUK 955
	APPROVALS	DATE	
	DRAWN P.L.O.	2019-09-03	
	CHECKED		
	RESP ENG		
MATERIAL			
FINISH --	MFG ENG		
DO NOT SCALE DRAWING	QUAL ENG		
SIZE B		DWG. NO.	REV.
SCALE 1:10		CAD FILE: 955_Assembly_p.00	SHEET 1 OF 1